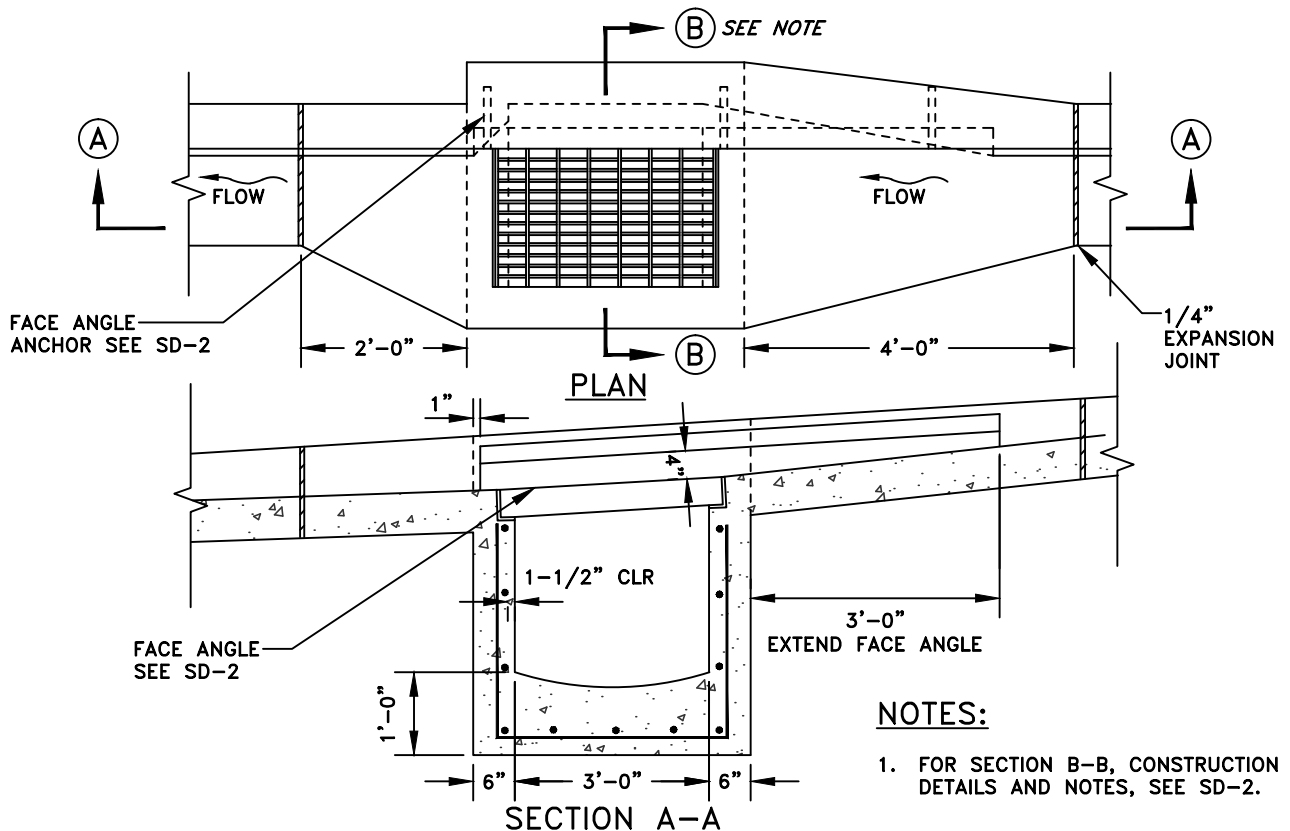


TYPE I GUTTER - LONGITUDINAL STREET GRADE LESS THAN 5%



NOTES:

1. FOR SECTION B-B, CONSTRUCTION DETAILS AND NOTES, SEE SD-2.

TYPE II GUTTER - LONGITUDINAL STREET GRADE 5% AND GREATER



CITY OF DALY CITY, CALIFORNIA
DEPARTMENT OF PUBLIC WORKS

STANDARD
DETAIL

CATCH BASIN PLAN, SECTION, GUTTER DEPRESSION

SD-1

REVIEWED BY: *Richard Chao*
CITY ENGINEER

ADOPTED ON: DEC 10, 2018
CITY COUNCIL

DATE: NOV 2018