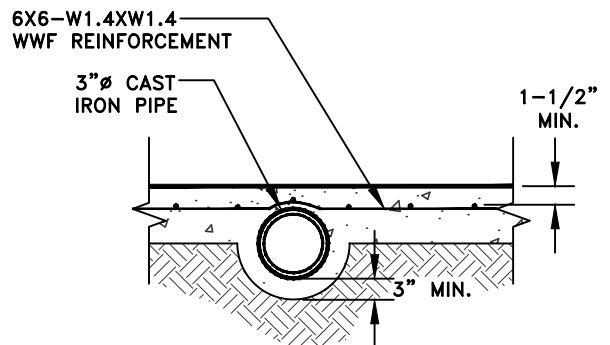
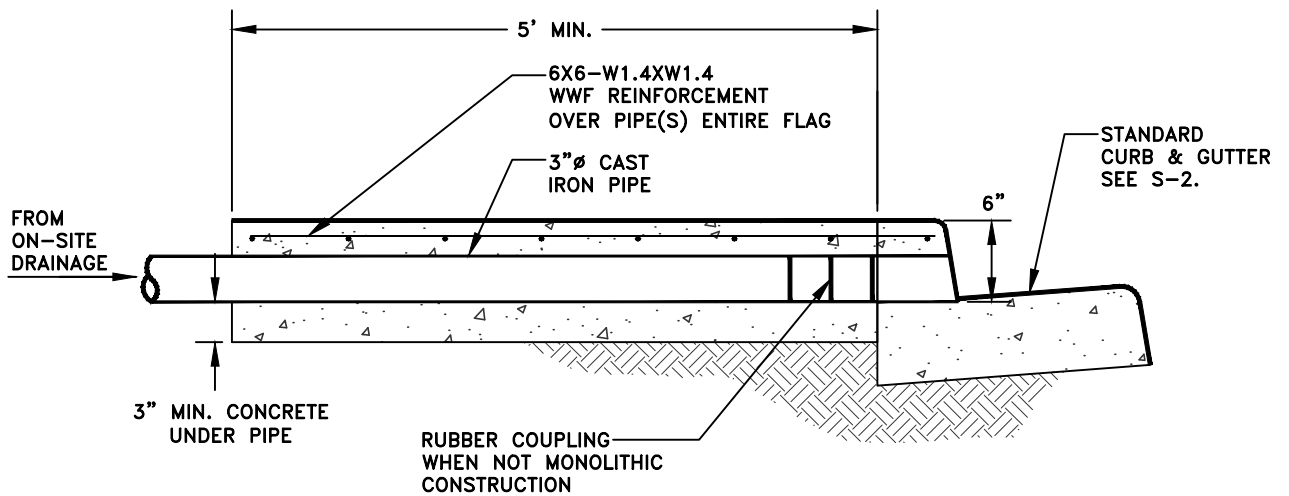


SECTION A-A



SECTION A-A
OPTION FOR 4" HIGH CURB



SECTION B-B



CITY OF DALY CITY, CALIFORNIA
DEPARTMENT OF PUBLIC WORKS

STANDARD
DETAIL

CURB FACE DRAINAGE OUTLET

SD-5

REVIEWED BY: *Richard Chiu*
CITY ENGINEER

ADOPTED ON: DEC 10, 2018
CITY COUNCIL

DATE: NOV 2018