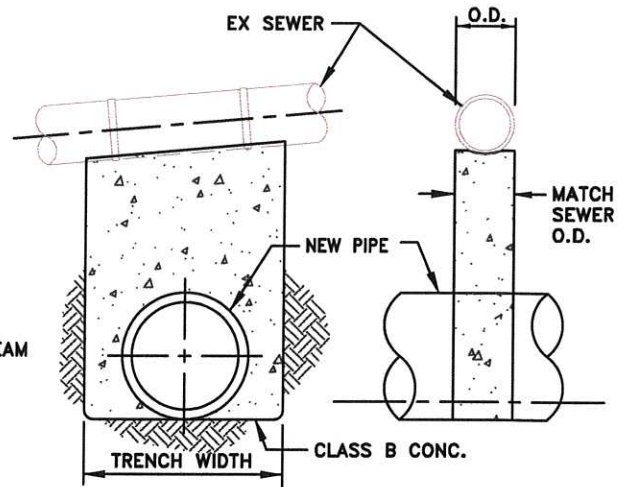


TYPE I

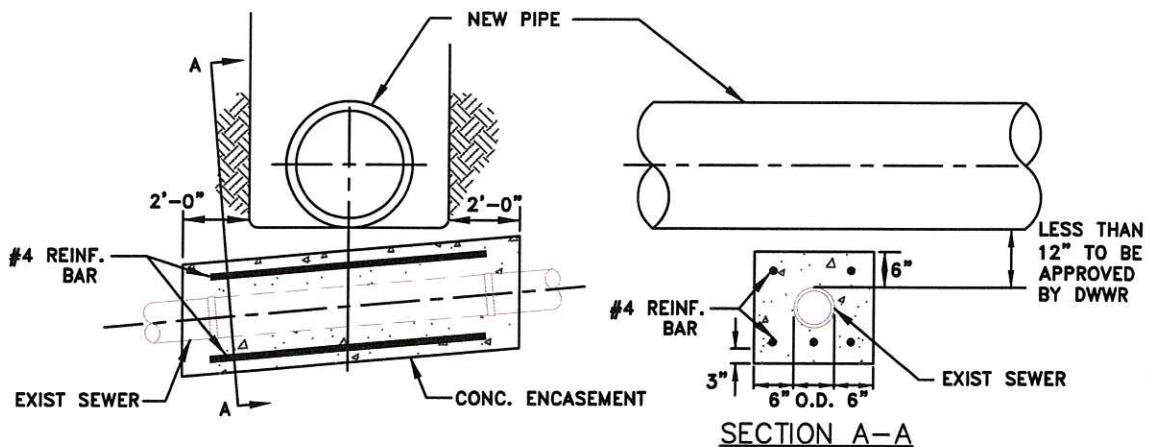


TYPE II

REINFORCED CONCRETE BEAM
DIMENSION TABLE

W	DEPTH OF COVER			
	0' to 8'-0"		8'-1" to 16'-0"	
	X	Bar No.	X	Bar No.
4'	8"	4	8"	4
5'	8"	4	9"	5
6'	8½"	5	10½"	5
7'	9"	5	11½"	6
8'	10"	5	12½"	6
9'	11"	6	13½"	6
10'	12"	6	15"	7

SUPPORT DETAILS OVER UTILITY
(TYPE I OR II MAY BE USED AT
CONTRACTOR'S OPTION)



ENCASEMENT DETAIL UNDER UTILITY



CITY OF DALY CITY, CALIFORNIA
NORTH SAN MATEO COUNTY SANITATION DISTRICT

NEW SEWER PIPE SUPPORT ACROSS TRENCHES

REVIEWED BY: *[Signature]*
DWWR DIRECTOR

ADOPTED ON: JAN 14, 2019
BOARD OF DIRECTORS

STANDARD
DETAIL

SS-7

DATE: NOV 2018