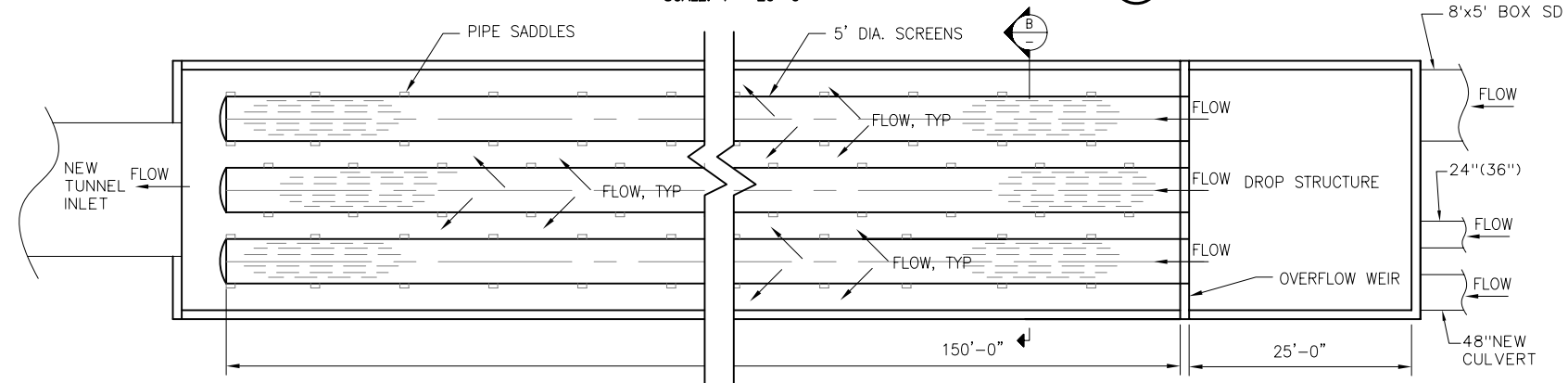
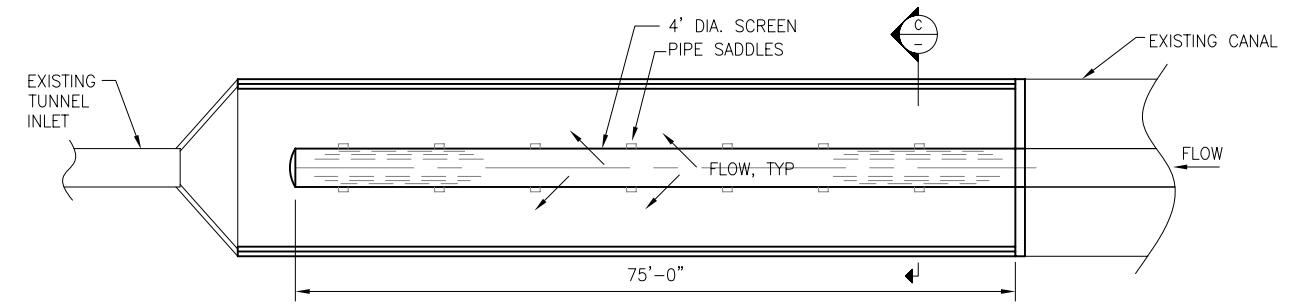


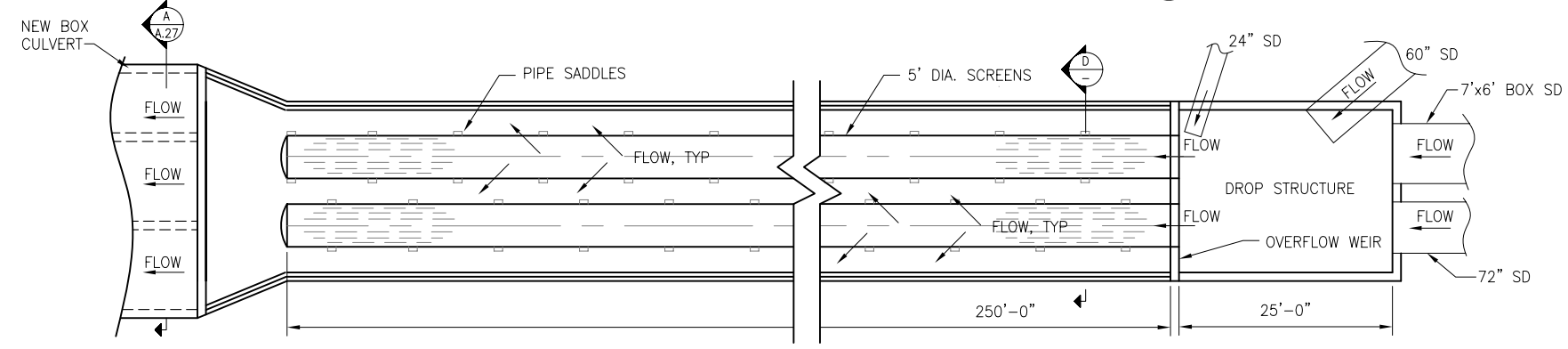
DEBRIS SCREEN DETAIL FOR ALT. 1A AT BEGINNING OF CANAL
 SCALE: 1" = 20'-0"



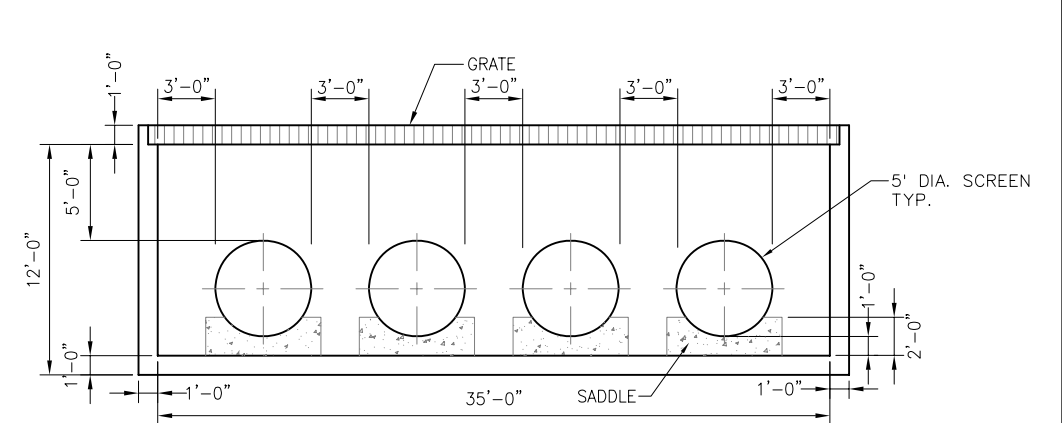
DEBRIS SCREEN #1 DETAIL FOR ALT. 4 AT END OF CANAL
 SCALE: 1" = 20'-0"



DEBRIS SCREEN #2 DETAIL FOR ALT. 4 IN WESTLAKE PARK
 SCALE: 1" = 20'-0"

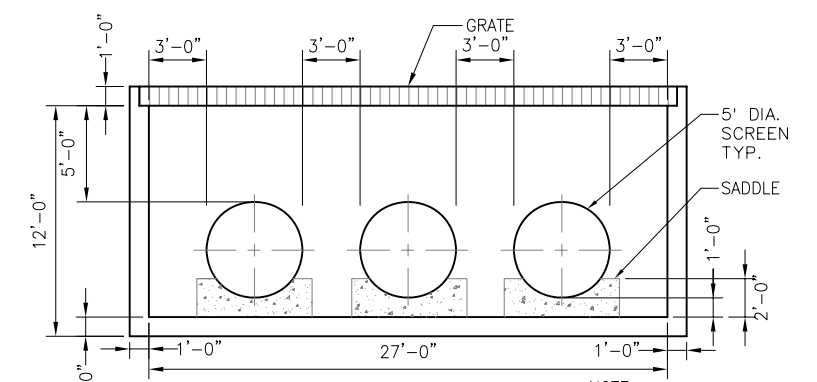


DEBRIS SCREEN DETAIL FOR ALT. 5B, 6, 7 AT BEGINNING OF CANAL
 SCALE: 1" = 20'-0"



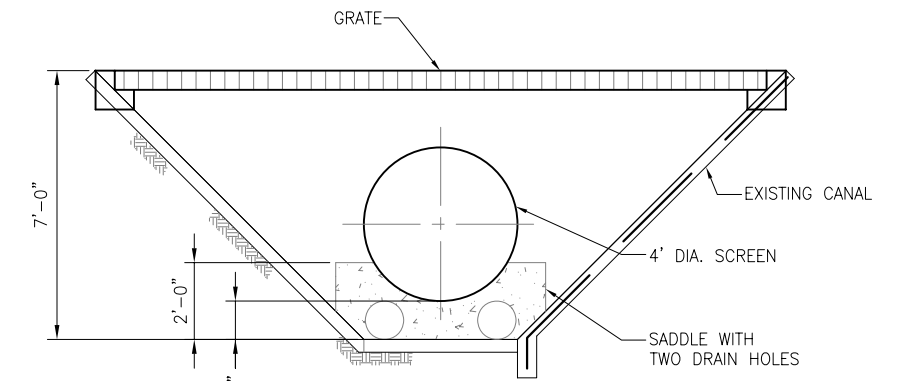
SECTION A
 SCALE: 1" = 10'-0"

NOTE: ACCESS HATCHES NOT SHOWN FOR CLARITY



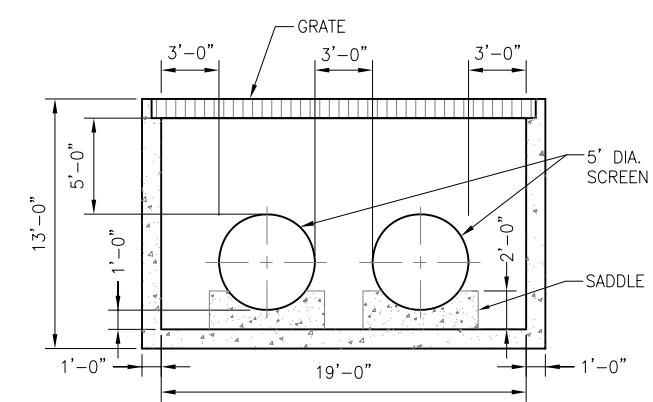
SECTION B
 SCALE: 1" = 10'-0"

NOTE: ACCESS HATCHES NOT SHOWN FOR CLARITY



SECTION C
 SCALE: 1" = 5'-0"

NOTE: ACCESS HATCHES NOT SHOWN FOR CLARITY



SECTION D
 SCALE: 1" = 10'-0"

NOTE: ACCESS HATCHES NOT SHOWN FOR CLARITY

JACOBS ASSOCIATES
 Engineers/Consultants

THE CITY OF DALY CITY
 CALIFORNIA
 DEPARTMENT OF PUBLIC WORKS

VISTA GRANDE DRAINAGE BASIN TUNNEL ANALYSIS

FIGURE A.19
 LINEAR GROSS SOLID REMOVAL DEVICE FOR ALL ALTERNATIVES WITHOUT STORAGE

DRAWN EN	DATE 10/2007	
CHECKED RHS	SCALE AS SHOWN	
DESIGNED ESH		0 REV.