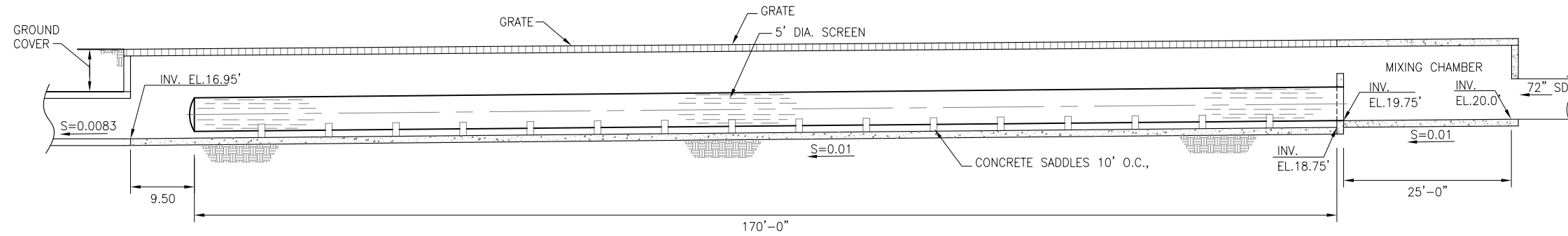
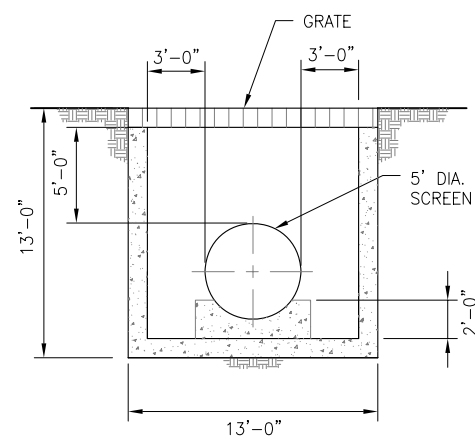


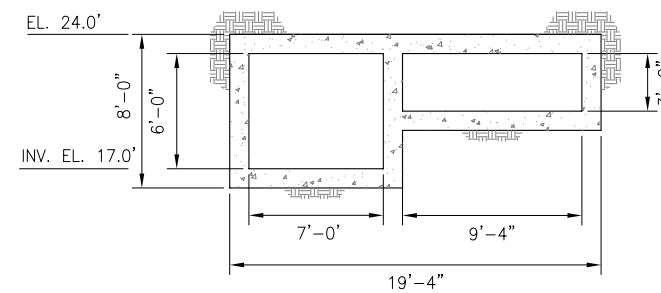
PLAN VIEW
SCALE: 1" = 20'-0"



SECTION A-A
SCALE: 1" = 20'-0"



SECTION B-B
SCALE: 1" = 10'-0"



SECTION C-C
SCALE: 1" = 10'-0"

JACOBS ASSOCIATES

Engineers/Consultants

THE CITY OF DALY CITY
CALIFORNIA
DEPARTMENT OF PUBLIC WORKS
VISTA GRANDE DRAINAGE
BASIN TUNNEL ANALYSIS

FIGURE A.23
16.2 MG STORAGE OPTION
DEBRIS SCREEN AT CANAL INLET

DRAWN EGB	DATE 10/2007		
CHECKED RHS	SCALE AS SHOWN		
DESIGNED ESH			0 REV.